

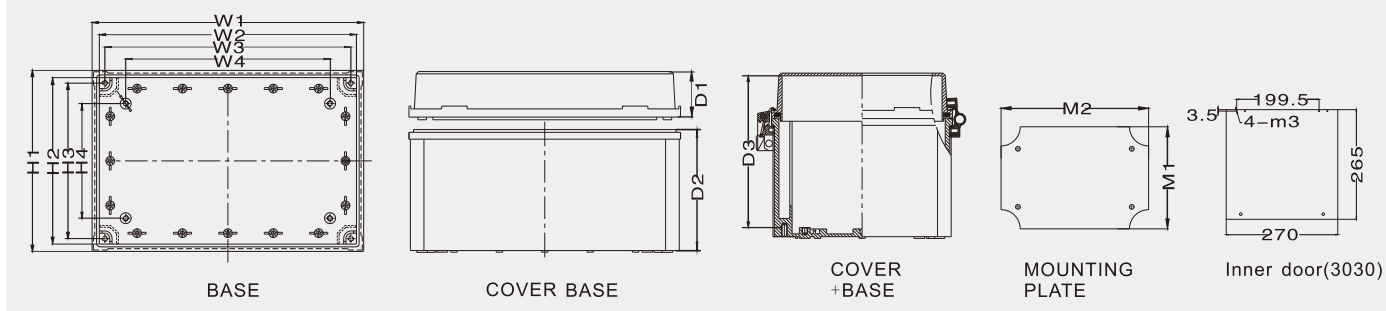


采用高强度ABS、PC耐火材料和UV抗紫外线添加材料制成，外形美观大方，具有很高的可塑性和坚固性。适用于端子箱、配电板、仪器盒、电力设备用BOX以及控制箱作用方便。

With high strength ABS, PC refractories and UV added material, the enclosure has beautiful appearance, high plasticity and ruggedness. It is Suitable for terminal boxes, distribution panels, instrument boxes, electrical equipment boxes and control boxes, simple and easy to use.

Dimension(允许误差 ± 1mm)

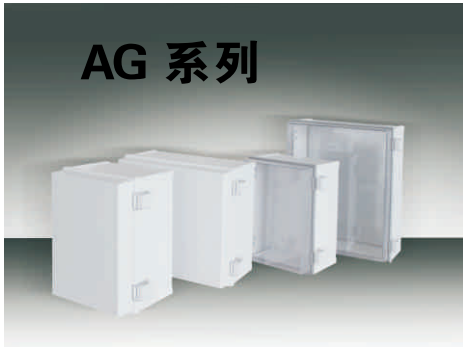
防水防尘等级	IP 66
温度范围	-40℃+ 80℃



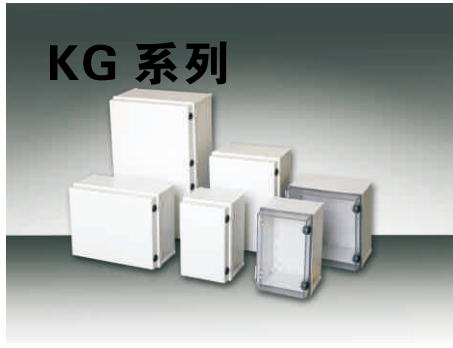
Size	Division	W1	W2	W3	W4	H1	H2	H3	H4	D1	D2	D3
200 × 300 × 150		300	278	268	225	200	170	168	125	30	120	135
200 × 300 × 180		300	281	270	227	200	181	170	127	50	130	165
300 × 300 × 180		300	281	270	227	300	281	270	227	50	130	165
300 × 400 × 180		400	381	370	327	300	281	270	227	50	130	165
NEW 300 × 400 × 210		400	381	370	327	300	281	270	227	50	160	195
400 × 500 × 200		500	482	470	428	400	382	370	328	50	150	165
400 × 600 × 220		600	582	570	525	400	382	370	328	50	170	205

# NE-AG KG MG 系列防水开关箱

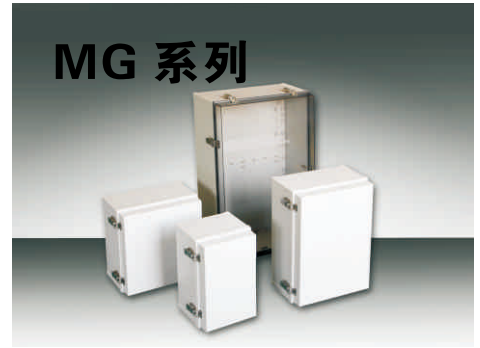
## NE-AG KG MG Series Plastics Enclosure



AG 系列



KG 系列



MG 系列

### 型号规格 Model and size



Size W H D	产品型号 Product model (Screw type)				底板型号 Plate Model		金属底板规格 Plate Size	
	ABS 盖:灰色ABS 盒体:灰色ABS Cover:Grey ABS Body:Grey ABS	PC/ABS 盖:透明PC 盒体:灰色ABS Cover:Transparent PC Body:Grey ABS	PC 盖:灰色PC 盒体:灰色PC Cover:Grey PC Body:Grey PC	PC 盖:透明PC 盒体:灰色PC Cover:Transparent PC Body:Grey PC	Plastic(塑料)	Metal(金属)	M1	M2
200 x 300 x 180	NE-A G-2030	NE-AT-2030	NE-APG-2030	NE-APT-2030	DS-2030P	DS-2030	175	275
300 x 300 x 180	NE-A G-3030	NE-AT-3030	NE-APG-3030	NE-APT-3030	DS-3030P	DS-3030	275	275
300 x 400 x 180	NE-A G-3040	NE-AT-3040	NE-APG-3040	NE-APT-3040	DS-3040P	DS-3040	275	375
NEW 300 x 400 x 210	NE-A G-3040-1	NE-AT-3040-1	NE-APG-3040-1	NE-APT-3040-1	DS-3040P	DS-3040	275	375
400 x 500 x 200	NE-A G-4050	NE-AT-4050	NE-APG-4050	NE-APT-4050	DS-4050P	DS-4050	360	460
400 x 600 x 220	NE-A G-4060	NE-AT-4060	NE-APG-4060	NE-APT-4060	DS-3040PX2	DS-4060	355	550
200 x 300 x 180	NE-KG-2030	NE-KT-2030	NE-KPG-2030	NE-KPT-2030	DS-2030P	DS-2030	175	275
300 x 300 x 180	NE-KG-3030	NE-KT-3030	NE-KPG-3030	NE-KPT-3030	DS-3030P	DS-3030	275	275
300 x 400 x 180	NE-KG-3040	NE-KT-3040	NE-KPG-3040	NE-KPT-3040	DS-3040P	DS-3040	275	375
NEW 300 x 400 x 210	NE-KG-3040-1	NE-KT-3040-1	NE-KPG-3040-1	NE-KPT-3040-1	DS-3040P	DS-3040	275	375
400 x 500 x 200	NE-KG-4050	NE-KT-4050	NE-KPG-4050	NE-KPT-4050	DS-4050P	DS-4050	360	460
400 x 600 x 220	NE-KG-4060	NE-KT-4060	NE-KPG-4060	NE-KPT-4060	DS-3040PX2	DS-4060	355	550
225 x 275 x 120	NE-MG-2227	NE-MT-2227	NE-MPG-2227	NE-MPT-2227	—	DS-2227	150	250
200 x 300 x 150	NE-MG-2030-S	NE-MT-2030-S	NE-MPG-2030-S	NE-MPT-2030-S	DS-2030P	DS-2030	175	275
200 x 300 x 180	NE-MG-2030	NE-MT-2030	NE-MPG-2030	NE-MPT-2030	DS-2030P	DS-2030	175	275
300 x 300 x 180	NE-MG-3030	NE-MT-3030	NE-MPG-3030	NE-MPT-3030	DS-3030P	DS-3030	275	275
300 x 400 x 180	NE-MG-3040	NE-MT-3040	NE-MPG-3040	NE-MPT-3040	DS-3040P	DS-3040	275	375
NEW 300 x 400 x 210	NE-MG-3040-1	NE-MT-3040-1	NE-MPG-3040-1	NE-MPT-3040-1	DS-3040P	DS-3040	275	375
400 x 500 x 200	NE-MG-4050	NE-MT-4050	NE-MPG-4050	NE-MPT-4050	DS-4050P	DS-4050	360	460
400 x 600 x 220	NE-MG-4060	NE-MT-4060	NE-MPG-4060	NE-MPT-4060	DS-3040PX2	DS-4060	355	550

### 适用附件 Accessories



Lock (circular hole)  
锁(圆形孔)标准



Lock (triangle hole)  
锁(三角孔)选配



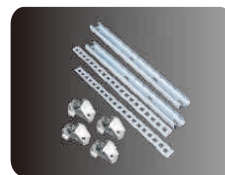
Wall brackets for Big plastic box  
塑料盒尼龙挂墙钩 (4PCS)  
MOEDL:MG



Plastic hinges for box MG,KG  
塑料铰链 (2PCS)  
MOEDL:PH-01



Plastic latch for box MG  
塑料搭扣 (2PCS)  
MOEDL:PL-01



Hoop (telegraph pole fixing)  
MOEDL:BG 080



Hinges for fixing inner door  
里门固定铰链 (2PCS)  
MOEDL:WG-02



Stainless steel hinge  
不锈钢铰链 (2PCS)  
MOEDL:HG-02



Stainless steel latch  
不锈钢搭扣 (2PCS)  
MOEDL:LC-02



MOEDL:AG



MOEDL:KG



MOEDL:MG

