



### 颜色定制 Color Customization 可为客户特殊定制其他颜色

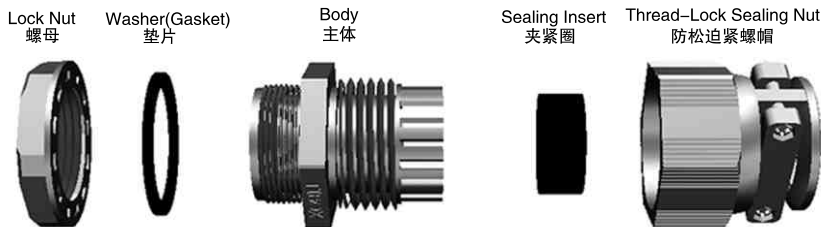
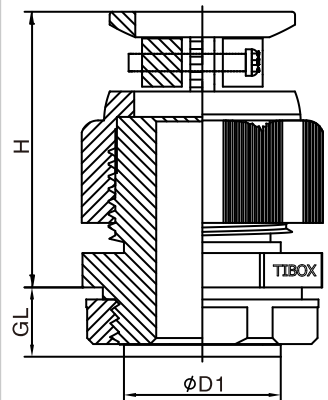
白色RAL9003
  灰色RAL7035
  银灰RAL7001
  黑色RAL9005
  蓝色RAL5012
  红色RAL3020
  绿色RAL6032
  黄色RAL1026

### PG/PG加长型抗拉力电缆固定头 PG /PG-Length Nylon Cable Glands with Stretching Resistance

|       |  |                      |   |
|-------|--|----------------------|---|
| 材料:   | 采用UL认可的尼龙材料                                      | Material:            | PA(NYLON),UL 94 V-2   |
| 防水圈:  | 丁腈橡胶, 耐候橡胶                                       | Hermetic seal:       | NBR,EPDM  |
| O型圈:  | 耐候橡胶   | O-Ring:              | EPDM  |
| 工作温度: | 静态-40℃至100℃或瞬间可耐热至120℃<br>动态-20℃至 80℃或瞬间可耐热至100℃ | Working temperature: | -40℃ to 100℃ in static state<br>instantaneous heat resistance up to 120℃<br>-20℃ to 80℃ in static state<br>instantaneous heat resistance up to 100℃ |
| 颜色种类: | 灰色、黑色, 其他颜色可定做                                   |                      |   |

### 轮廓图

#### PROFILE



| 螺纹规格<br>Thread<br>ØD1 | 适用电缆<br>mm | 螺纹外径<br>AG<br>mm | 螺纹长度<br>GL<br>mm | 本体高度<br>H<br>mm | 扳手直径<br>mm | 开孔尺寸<br>Panel Mounting<br>Hole<br>mm | 订货号<br>PartNO |             | 包装<br>Std. Pkg.<br>pcs |
|-----------------------|------------|------------------|------------------|-----------------|------------|--------------------------------------|---------------|-------------|------------------------|
|                       |            |                  |                  |                 |            |                                      | 灰色<br>Grey    | 黑色<br>Black |                        |
| PG7                   | 3 - 6.5    | 12.5             | 8                | 36              | 17         | 12.5 - 12.8                          | P0707Z        | P0707ZB     | 50                     |
| PG7                   | 2 - 5      | 12.5             | 8                | 36              | 17         | 12.5 - 12.8                          | P0705Z        | P0705ZB     | 50                     |
| PG9                   | 4 - 8      | 15.2             | 8                | 36              | 22         | 15.2 - 15.5                          | P0908Z        | P0908ZB     | 50                     |
| PG9                   | 2 - 6      | 15.2             | 8                | 36              | 22         | 15.2 - 15.5                          | P0906Z        | P0906ZB     | 50                     |
| PG11                  | 5 - 10     | 18.6             | 8                | 38              | 24         | 18.6 - 18.9                          | P1110Z        | P1110ZB     | 50                     |
| PG11                  | 3 - 7      | 18.6             | 8                | 38              | 24         | 18.6 - 18.9                          | P1107Z        | P1107ZB     | 50                     |
| PG13.5                | 6 - 12     | 20.4             | 10               | 38              | 27         | 20.4 - 20.7                          | P13512Z       | P13512ZB    | 50                     |
| PG13.5                | 5 - 9      | 20.4             | 10               | 38              | 27         | 20.4 - 20.7                          | P13509Z       | P13509ZB    | 50                     |
| PG16                  | 10 - 14    | 22.5             | 11               | 41              | 30         | 22.5 - 22.8                          | P1614Z        | P1614ZB     | 20                     |
| PG16                  | 7 - 12     | 22.5             | 11               | 41              | 30         | 22.5 - 22.8                          | P1612Z        | P1612ZB     | 20                     |
| PG21                  | 13 - 18    | 28.3             | 11               | 46              | 36         | 28.3 - 28.6                          | P2118Z        | P2118ZB     | 20                     |
| PG21                  | 9 - 16     | 28.3             | 11               | 46              | 36         | 28.3 - 28.6                          | P2116Z        | P2116ZB     | 20                     |
| PG29                  | 18 - 25    | 37               | 11               | 52              | 46         | 37 - 37.3                            | P2925Z        | P2925ZB     | 20                     |
| PG29                  | 13 - 20    | 37               | 11               | 52              | 46         | 37 - 37.3                            | P2920Z        | P2920ZB     | 20                     |
| PG7                   | 3 - 6.5    | 12.5             | 15               | 36              | 17         | 12.5 - 12.8                          | P0707Z        | P0707ZB     | 50                     |
| PG7                   | 2 - 5      | 12.5             | 15               | 36              | 17         | 12.5 - 12.8                          | P0705Z        | P0705ZB     | 50                     |
| PG9                   | 4 - 8      | 15.2             | 15               | 36              | 22         | 15.2 - 15.5                          | P0908Z        | P0908ZB     | 50                     |
| PG9                   | 2 - 6      | 15.2             | 15               | 36              | 22         | 15.2 - 15.5                          | P0906Z        | P0906ZB     | 50                     |
| PG11                  | 5 - 10     | 18.6             | 15               | 38              | 24         | 18.6 - 18.9                          | P1110Z        | P1110ZB     | 50                     |
| PG11                  | 3 - 7      | 18.6             | 15               | 38              | 24         | 18.6 - 18.9                          | P1107Z        | P1107ZB     | 50                     |
| PG13.5                | 6 - 12     | 20.4             | 15               | 38              | 27         | 20.4 - 20.7                          | P13512Z       | P13512ZB    | 50                     |
| PG13.5                | 5 - 9      | 20.4             | 15               | 38              | 27         | 20.4 - 20.7                          | P13509Z       | P13509ZB    | 50                     |
| PG16                  | 10 - 14    | 22.5             | 15               | 41              | 30         | 22.5 - 22.8                          | P1614Z        | P1614ZB     | 20                     |
| PG16                  | 7 - 12     | 22.5             | 15               | 41              | 30         | 22.5 - 22.8                          | P1612Z        | P1612ZB     | 20                     |
| PG21                  | 13 - 18    | 28.3             | 15               | 46              | 36         | 28.3 - 28.6                          | P2118Z        | P2118ZB     | 20                     |
| PG21                  | 9 - 16     | 28.3             | 15               | 46              | 36         | 28.3 - 28.6                          | P2116Z        | P2116ZB     | 20                     |
| PG29                  | 18 - 25    | 37               | 15               | 52              | 46         | 37 - 37.3                            | P2925Z        | P2925ZB     | 20                     |
| PG29                  | 13 - 20    | 37               | 15               | 52              | 46         | 37 - 37.3                            | P2920Z        | P2920ZB     | 20                     |